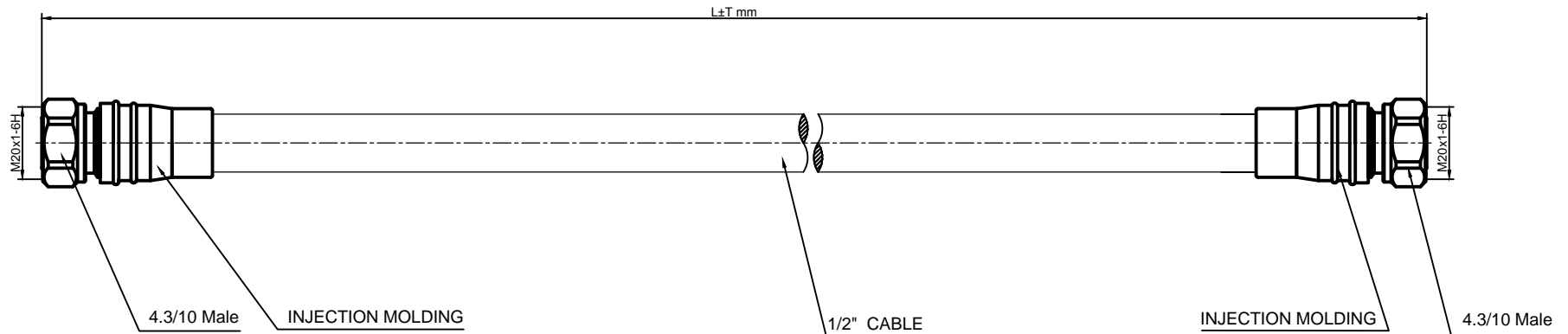


RevNo	Revision note	Date	Signature	Checked
00	Sketch Only	03/09/2020		



Material & Finishing:

1. Center conductor: Brass, Silver Plating
2. Insulators: PTFE
3. Body : Brass, Ternary Alloy Plating
4. Other Metal Parts: Brass, Nickel Plating
5. Gasket: Silicone Rubber

	L (mm)	T (mm)
1	1000	30
2	2000	30
3	3000	40

Electrical Data:

1. Impedance: 50 Ohms
2. Frequency: DC-6GHz
3. VSWR: ≤1.15 (698-2700MHz)
- 4.: PIM3: ≤-160dBc(2x43dBm)

ALL DIMENSIONS ARE IN MILLIMETERS AND [INCHES] Unit:mm

RoHS Compliant.

UNLESS OTHERWISE NOTED
ALL SURFACES FINISHED TO 64 MAX.

ALL TOLERANCES ARE:
 DECIMALS FRACTIONS ANGLES
 x ± 1.0 ±1/64 x' ± 1"
 x.x ± 0.5 x'x' ± 0.5"
 x.xx ± 0.1

Title Jumper 1/2" , 4.3/10(m) and 4.3/10(m)			
Drawn by	Ckd by	Appd by	Date 03/09/2020
Scale 4:1	Sheet 1 of 1	3650489-1	